

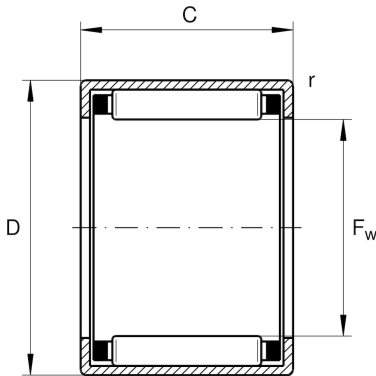
## HK3520-AS1-B-L271

Drawn cup needle roller bearing open end

Schaeffler ID:  
0068100470968

Drawn cup needle roller bearing open end  
HK...AS1-B, single row, with cage

### Technical information



#### Main Dimensions & Performance Data

$F_w$	35 mm	Under roller diameter
$D$	42 mm	Outside diameter
$C$	20 mm	Width
$C_r$	23.800 N	Basic dynamic load rating, radial
$C_{0r}$	46.000 N	Basic static load rating, radial
$C_{ur}$	6.000 N	Fatigue load limit, radial
$n_G$	7.500 1/min	Limiting speed
$n_{G \text{ Grease}}$	4.500 1/min	Limiting speed for grease lubrication
$n_{gr}$	5.500 1/min	Reference speed
	46 g	Weight

#### Dimensions

$r_{\min}$	0,8 mm	Minimum chamfer dimension
------------	--------	---------------------------

#### Temperature range

$T_{\min}$	-30 °C	Operating temperature min.
$T_{\max}$	140 °C	Operating temperature max.

#### Additional information

	SD35X42X4	Sealing ring
	G35X42X4	Sealing ring 2
	LR30X35X20,5	Suitable inner rings LR
	IR30X35X20-XL	Suitable inner rings IR